

E-250 SERIES FURNACE CONTROLLERS



DESCRIPTION

E-250 series furnace controllers has 3 relay outputs for 1 thermocouple input and various functions. Two 4-digit 7-segment displays and buttons on the front panel allow easy adjustment of temperature set point, firing and steaming times. Front panel dimensions of the device are 96x96 mm. Power supply can be selected as optional 24 VAC or 220 VAC.

STANDARD WORKING LIMITS

Inputs	Type	Min.	Max.
Fe-Const	Type-J, L	0°C	400°C

Outputs
Horn Output: 1xNA-O (RL1)
Steam Output: 1xNA-O-NK (RL2)
Heater Output: 1xNA-O-NK (RL3)



- This controller complies with the European Low Voltage Directive 2006/95/EC, by the application of safety standard TS EN 61010-1. (Pollution degree 2)
- This controller complies with the EMC Directive 2004/108/EC by the application of EMC standard TS EN 61326.

TECHNICAL SPECIFICATIONS

Accuracy Class	0.5
Display Resolution	1/999
Display	2x4 Digit LED (14 mm)
A/D Conversion	16 Bit
Relay Outputs	Heating: SPDT-NA-O-NK 250 V AC, 5 A Horn: SPST-NA 250 V AC, 5 A Steam: SPDT-NA-O-NK 250 V AC, 5 A
Reading Speed	2 readings/second
Input Resistance	T/C, mV \geq 1M Ω
Noise Suppression	120 dB 50 Hz
Operating Temperature	-10 ... 55°C
Temperature Comp.	0 ... 50°C
Protection Class	IP 65 front panel (NEMA 4X) IP 20 rear panel
Power Supply	220 V AC \pm %10; 50-60 Hz 24 V AC \pm %10; 50-60 Hz
Power Consumption	2.5 W (4 VA)
Relay Output	NA Contact 250 V AC 5 A
Input Signal	T/C (Type J, L)
Measuring Element	Thermocouple
Memory	EEPROM max. 10 ⁵ writing
Weight	495 gr

ORDERING GUIDE

E-250 Series Furnace Controllers
Standard Features

E-250 -W- X - Y - Z

Relay Outputs

3 relays 1x (NO-0), 2x (NO-0-NC) 3

Analog Output

None 0

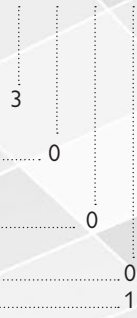
Communication

None 0

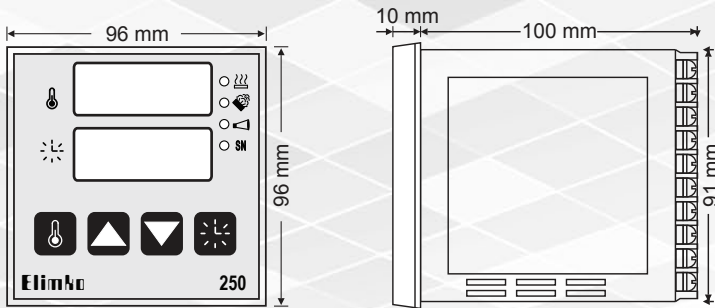
Power Supply

220 V AC 0

24 V AC 1



DIMENSIONS



Panel cut-out = 92 x 92 mm



The company's policy is one of continuous product improvement. We reserve the right to modify the information contained herein without notice.



[in](#) /elimkoldsti
[f](#) /elimkoldsti
[v](#) /elimkoldsti