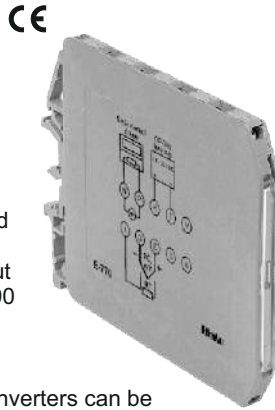


KY-790-1024-1

KY-790-1024-1

1. DESCRIPTION

E-790 series devices are rail-mountable industrial devices in a plastic case designed to be used as signal converters. E-790 series converters measure AC or DC current values at their inputs and convert them to standard 0 – 20 mA, 4 – 20 mA or 0 – 10 V signals. The operating voltage, input signal and output signal of the E-790 series devices are galvanically isolated from each other.



The input signal of E-790 series converters can be ordered as 0 - 1 A AC/DC or 0 - 5 A AC/DC and the output signal can be ordered as 0 / 4 - 20 mA or 0 - 10 V.

E-790 series converters can be configured with special PC software provided by Elimko.

E-790 device control units are designed for rail mounting and should be used in an industrial environment.

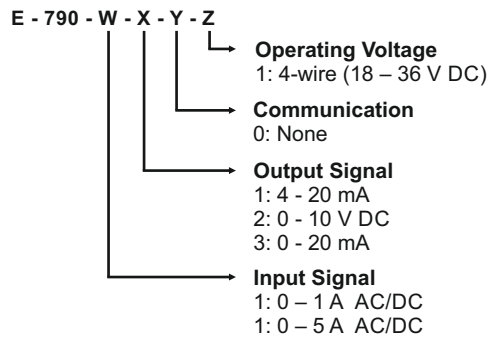
- The package of E-790 device contains; Device, User manual, Guarantee certificate.
- After opening the package, please check the contents with the above list. If the delivered product is wrong type, any item is missing or there are visible defects, contact the vendor from which you purchased the product.
- Before installing and operating the device, please read the user manual thoroughly.
- The installation and configuration of the controller must only be performed by a person qualified in instrumentation.
- Keep the unit away from feamable gases, that could cause explosion.
- Do not use alcohol or other solvents to clean the device. Use a clean cloth soaked in water tightly squeezed to gently wipe the outer surface of the device.
- It is not used in medical applications.

2. TECHNICAL SPECIFICATIONS

2.1. General

Electrical :	
Operating Voltage	18 - 36 V DC
Power Consumption	3 VA
Environmental Conditions:	
Operating Temperature	-10°C to +55°C
Operating Humidity	< 95% RH (non-condensing)
Protection Class	IP20
Calibration Temperature	25°C ±3°C
Input :	
Input Signal	0 – 1 AAC/DC or 0 – 5 AAC/DC
Accuracy Class	1 %
Output :	
Output Signal	4 - 20 mA or 0 - 10 V
Load Resistance	Maximum 600 Ω
Mechanical:	
Dimensions	90 mm x 112 mm x 65 mm
Weight (approx.)	60 g
Connection Cables	Maximum 1.5 mm ² (AWG 16)

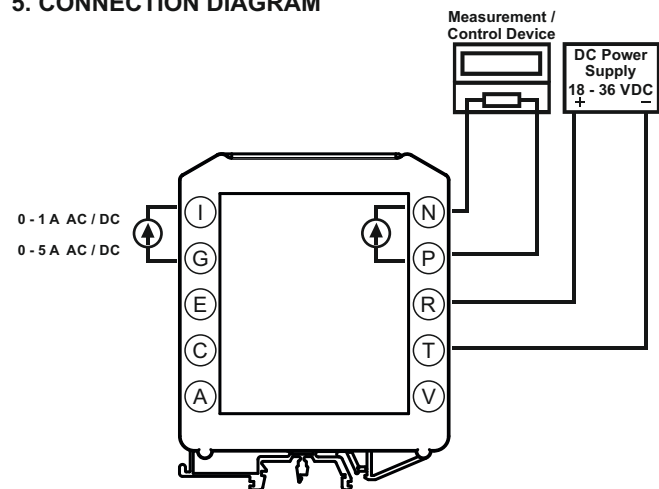
3. TYPE CODING



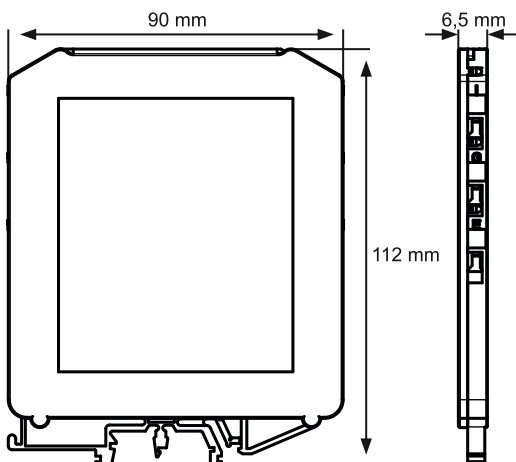
EU Directive Compliance;

Electromagnetic Compatibility Directive
EN 61326-1
Low Voltage Directive
EN 61010-1

5. CONNECTION DIAGRAM



4. DIMENSIONS



Manufacturer / Technical Support:
Elimko Elektronik İmalat ve Kontrol Ltd. Şti.
ASO 2. OSB Alçı Mah. 2001. Cad. No:14 Temelli 06909 Ankara / TÜRKİYE
Tel: +90 312 212 64 50 • Faks: +90 312 212 41 43
www.elimko.com.tr • e-posta:elimko@elimko.com.tr