

The E-KC-100 converter is designed for use in an industrial environment.

- The package of the E-KC-100 converter contains; the Converter, user manual and guarantee certificate.
- After opening the package, please visually check whether the type of the transmitter is suitable for the order, whether the above-mentioned parts are missing and whether the transmitter has been damaged during shipment.
- Before installing and operating the controller, please read the user manual thoroughly.
- The installation and configuration of the controller must only be performed by a person qualified in instrumentation.
- Keep the unit away from flammable gases, that could cause explosions.
- Do not use alcohol or other solvents to clean the transmitter. Use a clean cloth soaked in water tightly squeezed to gently wipe the outer surface of the transmitter.
- It is not used in medical applications.



1. DESCRIPTION

E-KC-100 series transmitters are microprocessor based industrial instruments in plastic case. E-KC-100 transmitters are used to convert the thermocouple and resistance thermometer signals into standard 4-20 mA. The configuration of the transmitter is done by PC, using a software programme supplied by Elimko. The RS 232 connection hardware is also available from Elimko.



2.2. General Specifications

Electrical:	
Supply Voltage	10.0 - 30 V DC
Voltage Drop	9.0 V
Environmental Conditions:	
Operating Temperature	-10°C to +55°C
Protection Class	IP 00, IP 66 (DIN 43729 mounted on type B head)
Calibration Temp.	25°C ±3°C
Mechanical:	
Dimensions	Ø 44.0 mm x 21.5 mm
Weight (approx.)	40 g
Connection Cables	Max. 1.5 mm ² (AWG 16)
Resistance Thermometer (RTD) / Resistance Input:	
Sensor Connection	3-Wire
Maximum Wire Resistance	100 Ω
Error Signaling	Wire Break (Output current can be configured Up / Down.)
Thermocouple (TC) / mV Input:	
Input Impedance	> 10 MΩ
Maximum Wire Resistance	100 Ω
Cold Junction Compensation (CJC)	Constant, Internal NTC, External Pt-100 (Configurable)
Error Signaling	Wire Break (Output current can be configured Up / Down.)
Output:	
Output Signal	4 - 20 mA or 20 - 4 mA
Load Resistance	[V _{supply} - 10] × 50 W (600 W at 22 V DC)
Operating Influences:	
Ambient Temperature	< ± 0.01% / °C
CJC Error (For TC Inputs)	< ± 1.0 °C
EMC Immunity	< ± 0.5% Span

2. TECHNICAL SPECIFICATIONS

2.1. OPERATING RANGE and MEASURING ACCURACY

(at 24 V supply voltage and 25°C ± 3°C ambient temperature)

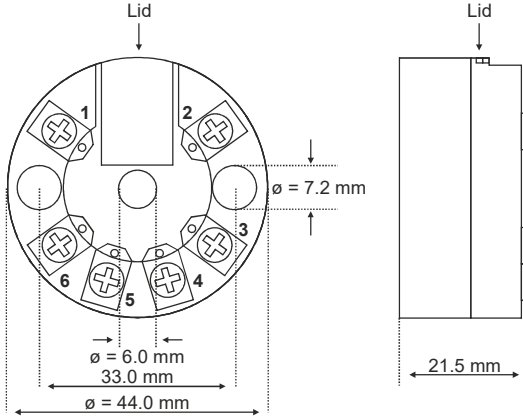
SENSOR	STANDARD	LOWER LIMIT	UPPER LIMIT	MINIMUM SPAN	ACCURACY			
					A/D	D/A		
RTD	Pt-100	IEC 60751	-200°C	850°C	50°C	±0.25°C		±0.1% Span
			100°C	1800°C	100°C	±2.00°C		
			-200°C	840°C	50°C	±0.50°C		
			-200°C	1120°C	50°C	±0.50°C		
			-200°C	1360°C	50°C	±0.50°C		
			-200°C	1300°C	50°C	±0.50°C		
			-40°C	1760°C	100°C	±1.00°C		
			-40°C	1760°C	100°C	±1.00°C		
			-200°C	400°C	50°C	±0.50°C		
			-200°C	900°C	50°C	±0.50°C		
			-200°C	600°C	50°C	±0.50°C		
mV	DIN 43710	-2000mV	500mV	25mV	±0.075mV			

If the input type and scale is not specified while ordering, factory settings are:
Input Type : Pt-100, and Scale : 0-200°C.

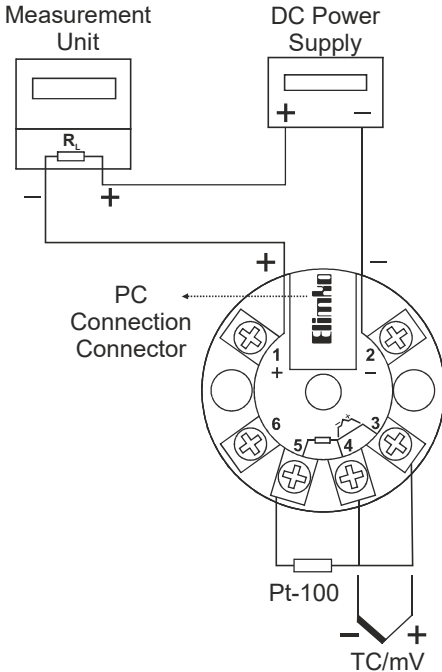
Electromagnetic Compatibility:


The E-KC-100 meets the requirements of TS EN 61326-1.


3. DIMENSIONS



4. CONNECTION DIAGRAM



- Before operating the converter, ensure that the converter is correctly configured. Incorrect configuration could result in damage to the process being controlled. 
- To minimize the pick-up of electrical noise, the wiring of low voltage lines, particularly the sensor input should be routed away from the high-current power cables. Where it is not possible, use shielded cable and ground the shielded cable.
- The cables used for powering the transmitter and the power outputs must conform to the standards IEC 60245 and IEC 60227.

- For thermocouple inputs, be sure to use the proper compensation cables and pay attention to the polarity of the connection. 

Manufacturer / Technical Support :

Elimko Elektronik İmalat ve Kontrol Ltd. Şti.

ASO 2. Organize Sanayi Bölgesi Alçı OSB Mahallesi 2001. Cad. No:14 Temelli 06909 Ankara / TÜRKİYE
Tel: +90 312 212 64 50 (Pbx) • Fax: +90 312 212 41 43 E-mail: elimko@elimko.com.tr • www.elimko.com.tr