



E-RHT-10 SERIES

HUMIDITY AND TEMPERATURE TRANSMITTER

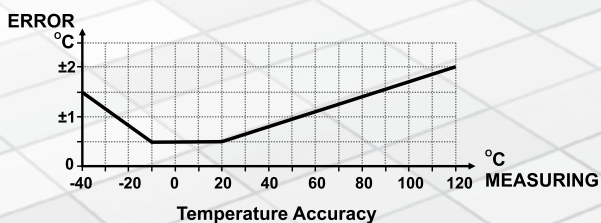
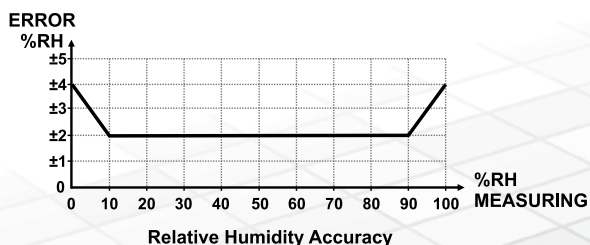


DESCRIPTION

E-RHT-10 is a microprocessor based transmitter that uses a single chip relative humidity and temperature sensor module. The single chip sensor provides 12/14 bit (humidity / temperature) serial digital output for each reading. The sensor includes two calibrated micro sensors for relative humidity and temperature.

The transmitter is mounted in a waterproof plastic case and it is available with or without display unit. The transmitters can be employed in all common applications by choosing the appropriate mounting configurations.

ACCURACY GRAPHICS



TECHNICAL SPECIFICATIONS

Humidity

Accuracy	± 2 %
Range	0-100 % RH
Response Time	4 sec.
Reproducibility	± 0.1 % RH
Resolution	0.1 % RH

Temperature

Accuracy	± 1 %
Range	-40 ... 120 °C
Response Time	30 sec.
Reproducibility	± 0.1 °C
Resolution	0.1 °C

Operating Temperature

Transmitter	-10 ... 55 °C
Probe	-40 ... 120 °C

ORDERING GUIDE

E-RHT-10 Series Transmitters

E-RHT-10 U - V - W - X - Y - Z

Display

None (There are no output options with relays.)	0
Var (Z)= 0 if the indicator is 0. This option is always 0.	1

Output

None	0
2x0-20 mA	1
2x4-20 mA	2
2x0-10VDC	3
2xNA-0 relay/2x0-20 mA	4
2xNA-0 relay/2x4-20 mA	5
2xNA-0 relay/2x0-10 VDC	6

Communication

None	0
RS485 Modbus	1

Probe Type

Wall mount	0
Duck mount length= 10 cm.	1
Duck mount length= 20 cm.	2
Duck mount length= 30 cm.	3
Portable with 2 m. cable	4

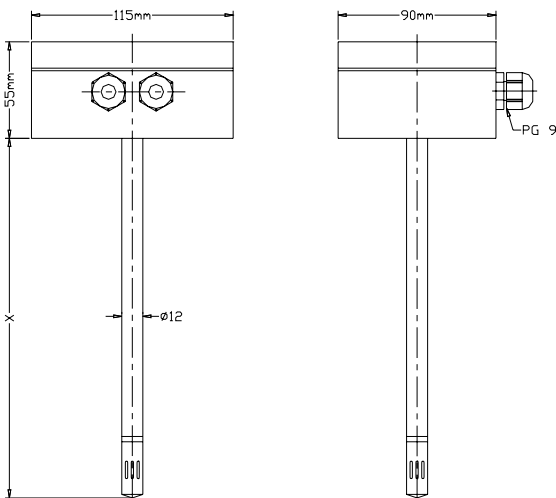
Probe Filter

Plastic grid	0
Sintered bronze	1
Membrane	2
Metal grid	3
Sintered stainless steel	4
PTFE	5

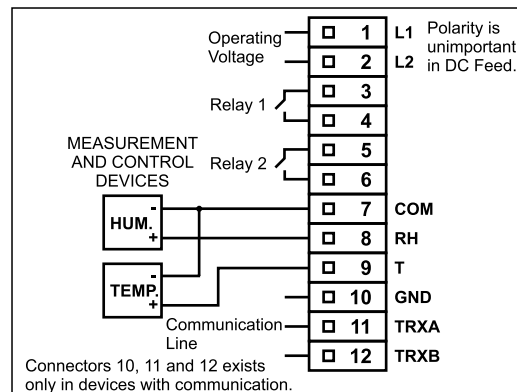
Power Supply

20-60V AC or 20-85V DC	1
85-265V AC or 85-375V DC	2

DIMENSIONS



CONNECTION DIAGRAM



The company's policy is one of continuous product improvement. We reserve the right to modify the information contained herein without notice.



in /elimkoldsti
f /elimkoldsti
y /elimkoldsti