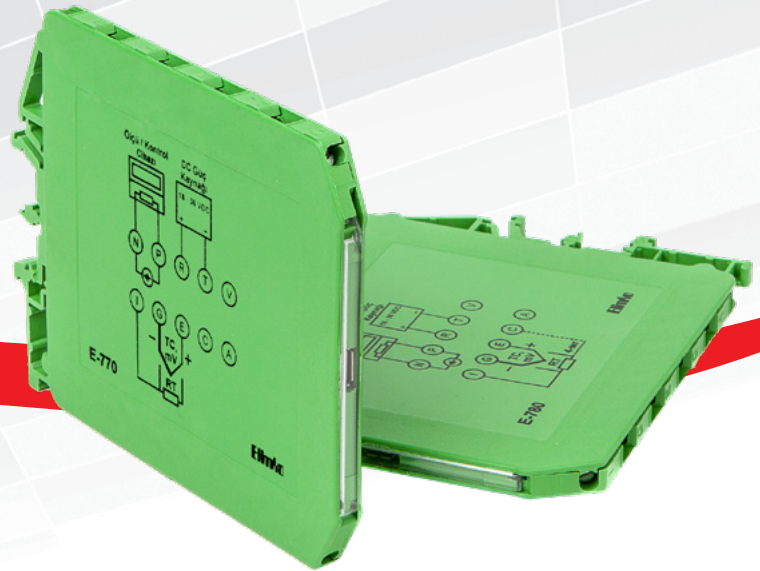




## E-790 SERIES SIGNAL CONVERTERS



### DESCRIPTION

E-790 series devices are rail-mountable industrial devices in a plastic case designed to be used as signal converters. E-790 series converters measure AC or DC current values at their inputs and convert them to standard 0 – 20 mA, 4 – 20 mA or 0 – 10 V signals. The operating voltage, input signal and output signal of the E-790 series devices are galvanically isolated from each other.

The input signal of E-790 series converters can be ordered as 0 - 1 A AC/DC or 0 - 5 A AC/DC and the output signal can be ordered as 0 / 4 - 20 mA or 0 - 10 V.

E-790 series converters can be configured with special PC software provided by Elimko.

### TECHNICAL SPECIFICATIONS

Electrical	
Operating Voltage	18 – 36 V DC
Power Consumption	3 VA
Environmental Conditions	
Operating Temperature	Between -10 °C ile +55 °C
Protection Class	IP20
Operating Humidity	< 95 %Rh (non-condensing)
Calibration Temperature	25 °C ± 3 °C
Input	
Input Signal	0 – 1 A AC/DC or 0 – 5 A AC/DC
Accuracy Class	%I
Output	
Output Signal	0 / 4 – 20 mA or 0 – 10 V
Load Resistance	Maximum 600 Ω
Mechanical	
Dimensions	90 mm x 112 mm x 6,5 mm
Weight (approx.)	60 g
Connection Cables	Maximum 1,5 mm <sup>2</sup> (AWG 16)



EU Directive Compliance;

- Electromagnetic Compatibility Directive EN 61326-1
- Low Voltage Directive EN 61010-1

## ■ ORDERING GUIDE

E-790 Series Signal Converters

E- 790 - W - X - Y - Z

### Standard Features

User configurable.

### Input

0-1 A AC/DC ..... 1  
0-5 A AC/DC ..... 2

### Output Signal

4-20 mA ..... 1  
0-10 V DC ..... 2  
0-20 mA ..... 3

### Communication

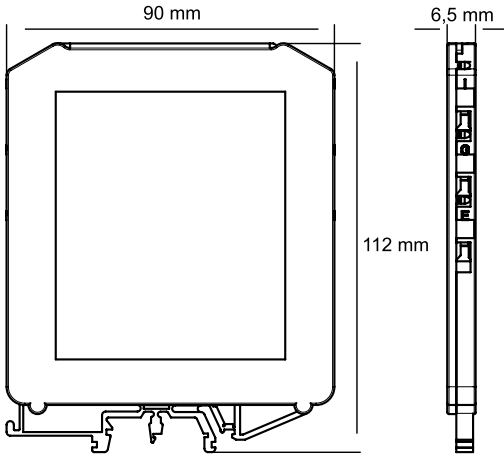
Yok ..... 0

### Operating Voltage

4 wire 18-36 V DC ..... 0

\* E-790 series converters can be configured with special PC software to be provided by Elimko.

## ■ DIMENSIONS



## ■ CONNECTION DIAGRAM

