

E-2500 SERIES TEMPERATURE CONTROLLER AND TIMER



DESCRIPTION

E-2500 Series temperature and timing controllers are designed using new generation microcontrollers. Unit dimensions are 96x96 mm, conforming to IEC/TR 60668.

It has 2x3 digit Led display. Upper display is for temperature, lower display is for timer. Configurable temperature range is 0-400°C accordance to J type Fe-Const thermocouple. Time set point is also configurable in between 0.1 ile 99.9 minute.

STANDARD WORKING LIMITS

Inputs	Type	Min.	Max.
Fe-Const	Type-J	0°C	400°C

Outputs
Control Outputs (2xNO Contact)
Temperature 1xNO (RL1)
Timer Relay 1xNO (RL2)

TECHNICAL SPECIFICATIONS

Accuracy Class	0.5
Display Resolution	1/999
Display	2x3 Digit LED (14 mm)
A/D Conversion	16 Bit
Reading Speed	2 readings/second
Input Resistance	T/C $\geq 1 \text{ M } \Omega$
Noise Suppression	120 dB 50 Hz
Operating Temperature	-10 ... 55°C
Temperature Comp.	0 ... 50°C
Time Programming Range	0-99.9 minutes
Power Supply	85-265 V AC / 85-375 V DC 20-60 V AC /20-85 V DC
Power Consumption	Max. 4 W
Relay Output	NA Contact 250 V AC 5 A
Input Signal	T/C (Type J)
Measuring Element	Thermocouple
Memory	EEPROM max. 10^5 writing
Weight	230 gr



- This controller complies with the European Low Voltage Directive 2006/95/EC, by the application of safety standard TS EN 61010-1. (Pollution degree 2)
- This controller complies with the EMC Directive 2004/108/EC by the application of EMC standard TS EN 61326.

ORDERING GUIDE

E-2500 Series Temperature Controller and Timer
Standard Features

E-2500 -W- X - Y - Z

Relay Outputs

None	0
2 relays, 2 x (NO-0)	1
Pulse Voltage to drive SSR, 24V DC/20 mA + 1 relay 1 x (NO-0)	2

Analog Output

None	0
------------	---

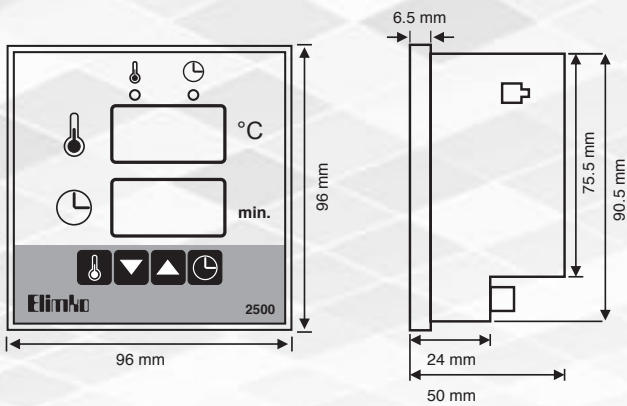
Communication

None	0
------------	---

Power Supply

85-265 V AC / 85-375 V DC	0
20-60 V AC / 20-85 V DC	1

DIMENSIONS



Panel cut-out = 92 x 92 mm



The company's policy is one of continuous product improvement. We reserve the right to modify the information contained herein without notice.



[in](#) /elimkoldsti
[f](#) /elimkoldsti
[v](#) /elimkoldsti