

E-KC-100 SERIES HEAD-MOUNTED TYPE TEMPERATURE CONVERTER



DESCRIPTION

E-KC-100 Series head type temperature converters are electronic units designed by using microcontroller, inside plastic roller, capable of being installed inside thermocouple or resistance thermometer head. They convert the thermocouple and resistance thermometer values into a standard 4-20mA current signal in all areas of the industry.

Converter's configuration can be easily set by the user as requested by using USB interface on PC without need for any supply by connecting to PC with E-PK700-I2 connection cable by the aid of E-Y-KC-100-V2 software loaded to PC.



- This controller complies with the European Low Voltage Directive 2006/95/EC, by the application of safety standard TS EN 61010-1. (Pollution degree 2)
- This controller complies with the EMC Directive 2004/108/EC by the application of EMC standard TS EN 61326.

TECHNICAL SPECIFICATIONS

Accuracy Class	0.5
A/D Conversion	16 bit
D/A Conversion	12 bit
Operating Temperature	-10°C ... 55°C
Depolama Temperature	-25°C ... 65°C
Power Supply	10-30 V DC
Output	4-20 mA / 20-4 mA
Sensors	Thermocouple: B, E, J, K, L, N, R, S, T, U Resistance Thermometer: Pt-100
Memory	EEPROM max. 10 ⁵ writing
Weight	30 gr

STANDARD WORKING LIMITS

Inputs	Min.	Max.
Type-B	60°C	1800°C
Type-E	-200°C	840°C
Type-J	-200°C	1100°C
Type-K	-200°C	1300°C
Type-L	-200°C	900°C
Type-N	-200°C	1300°C
Type-R	-40°C	1760°C
Type-S	-40°C	1760°C
Type-T	-200°C	400°C
Type-U	-200°C	600°C
Pt-100	-200°C	840°C

ORDERING GUIDE

E-KC-100 Series Head-Mounted Type Temperature Converter

E-KC-100 -W

Standard Features

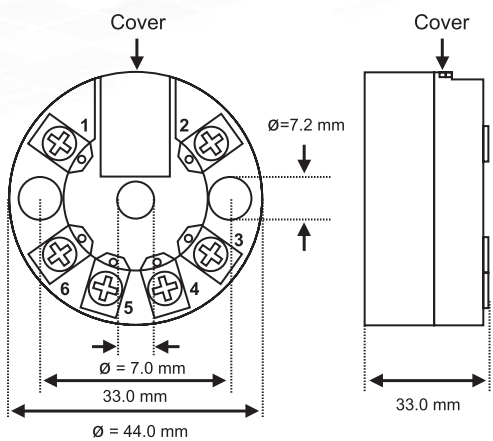
Configurable by the customer

Input

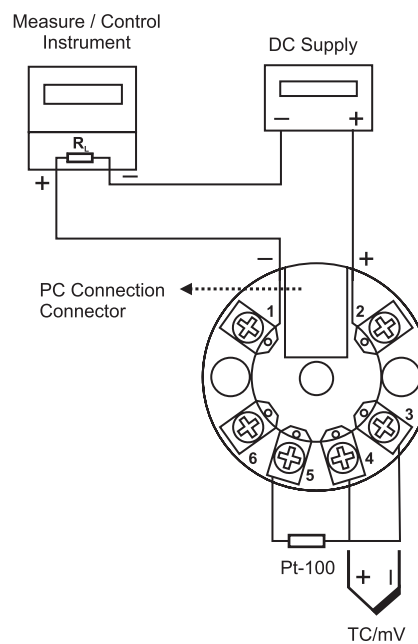
Standard	0
Isolated	1

* If you want to program the inputs / outputs of E-KC-100 Series Head Type Universal Advanced Temperature Converter units, PK-700-12 PC programming kit is required.

DIMENSIONS



CONNECTIONS



The company's policy is one of continuous product improvement. We reserve the right to modify the information contained herein without notice.



[in](#) /elimkoldsti
[f](#) /elimkoldsti
[v](#) /elimkoldsti